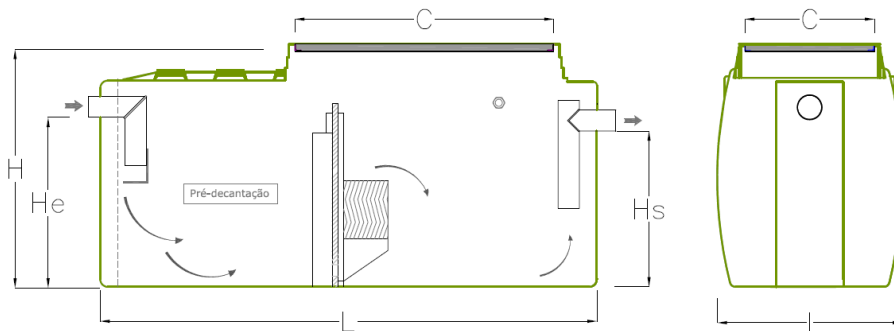


LAMELLAR SLUDGE TRAP ECODEPUR[®] DEKTECH 10

TECHNICAL INFORMATION

The **Lamellar Sludge Trap ECODEPUR[®] DEKTECH 10** are mainly used to remove precipitable substances from water polluted with light free floating liquids such as engine oils, gas, before a Light Liquid Separator

EQUIPMENT IDENTIFICATION	Lamellar Sludge Trap
MARCA	ECODEPUR [®]
TYPE	DEKTECH 10
TYPE OF TREATMENT	Primary treatment
MATERIAL	Polyethylene
LAMELLAR FILTER	
Material	Polypropylene
Projection of the Sedimentation area	240 m ² / m ³
Distance between lamellas	12 mm
VENTE POINT	Included (1 1/2")
COVER	Included (PE)



TYPE	VOLUME (l)	L (mm)	I (mm)	H (mm)	He (mm)	Hs (mm)	C (mm)	Ø PIPE (mm)	WEIGHT (kg)
DEKTECH 10	2.410	2.580	960	1.230	930	820	750 X 1415	110	170