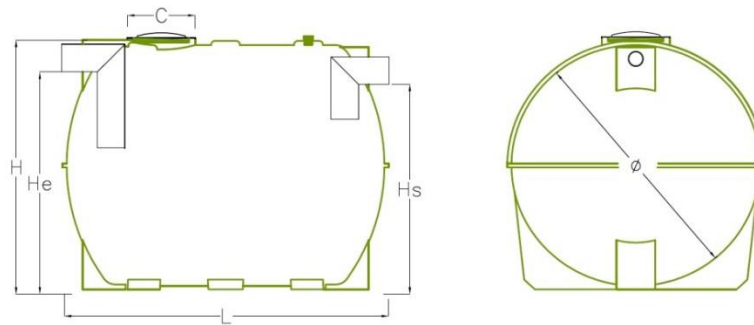


## SLUDGE TRAP ECODEPUR<sup>®</sup> DS-3.000

## TECHNICAL INFORMATION

The **Sludge Traps ECODEPUR<sup>®</sup> DS** are mainly used to remove precipitable substances from waste water.

- Mark: **ECODEPUR<sup>®</sup>**
- Type: DS-3.000
- Manufactured in additive polyethylene anti-UV, by rotomoulding system, which confer elevated mechanical resistance and corrosion protection;
- Fully watertight.



TYPE	TOTAL VOLUME (l)	L (mm)	Ø (mm)	H (mm)	He (mm)	Hs (mm)	C (mm)	Ø PIPE (mm)	WEIGHT (kg)
DS-3.000	3.000	1.900	1.500	1.550	1.285	1.205	400	160	115