

SMALL WWTP ECODEPUR[®] AQUADEPUR[®] 10

TECHNICAL INFORMATION

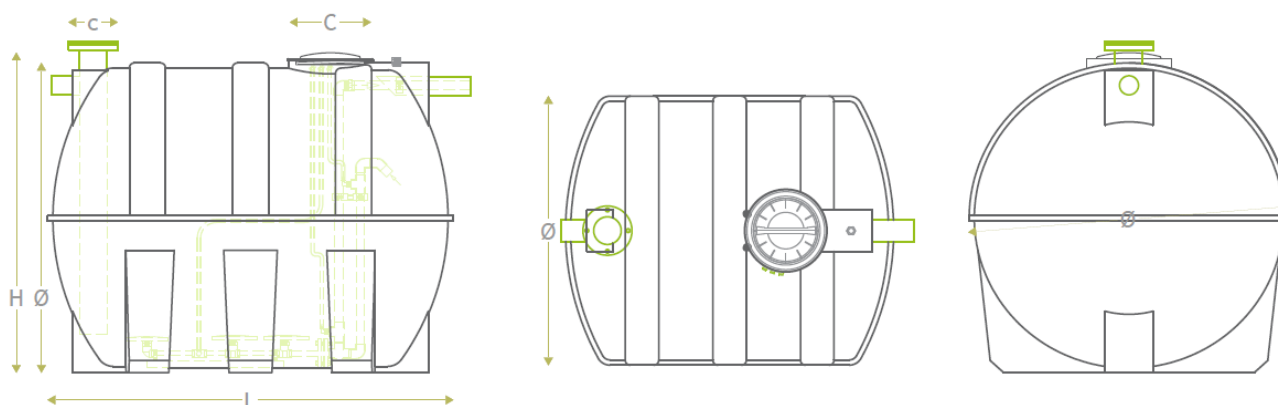
The **ECODEPUR[®] Small WWTP, model AQUADEPUR[®]** are ultra-compact domestic wastewater treatment systems in SBR-type reactors (Sequencing Batch Reactor).



PARAMETER	TREATMENT EFFICIENCY	QUALITY OF TREATED EFFLUENT
CHEMICAL OXYGEN DEMAND (COD)	93,5%	53 mg/l
BIOCHEMICAL OXYGEN DEMAND (BOD ₅)	97,0%	10 mg/l
TOTAL NITROGEN (TN)	89,0%	10,4 mg/l
AMMONIACAL NITROGEN (NH ₄ - N)	82,3%	4,4 mg/l
TOTAL PHOSPHORUS (P _{Tot})	62,6%	2,6 mg/l
TOTAL SUSPENDED SOLIDS (TSS)	96,0%	16 mg/l

STANDARD MANUFACTURING IDENTIFICATION	EN 12566-3
EQUIPMENT IDENTIFICATION	SMALL WWTP
MANUFACTURER	ECODEPUR [®]
MODEL	AQUADEPUR [®] 10
TREATMENT CAPACITY	1.500 l/day
MATERIAL	Polyethylene (PE)
TYPE OF TREATMENT	Activated Sludge - Sequencing Batch Reactor
AERATION	Membrane blower / EPDM fine bubbles diffusers
INSTALLED POWER	125 W – 230 VAC/ 50HZ
POWER CONSUMPTION	1,98 kW/d
PLUG & PLAY COMMAND AND CONTROL UNIT	Included
MANHOLE COVER	Included (PE)

(1) Initial tests carried out by the notified Organism PIA GmbH
(2) For temperatures higher or equal to 12°C



MODEL	VOLUME (l)	L (mm)	Ø (mm)	H (mm)	c (mm)	C (mm)	Ø AIR INLET PIPE	Ø INLET AND OUTLET PIPES (mm)
AQUADEPUR [®] 10	5.000	2.320	1.800	1.870	285	400	3/4"	110