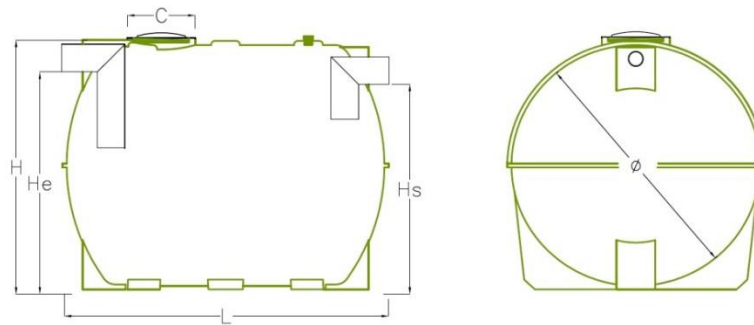


SLUDGE TRAP ECODEPUR[®] DS-5.000

TECHNICAL INFORMATION

The **Sludge Traps ECODEPUR[®] DS** are mainly used to remove precipitable substances from waste water.

- Mark: **ECODEPUR[®]**
- Type: DS-5.000;
- Manufactured in additive polyethylene anti-UV, by rotomoulding system, which confer elevated mechanical resistance and corrosion protection;
- Fully watertight.



TYPE	TOTAL VOLUME (l)	L (mm)	Ø (mm)	H (mm)	He (mm)	Hs (mm)	C (mm)	Ø PIPE (mm)	WEIGHT (kg)
DS-5.000	5.000	2.320	1.800	1.870	1.560	1.475	400	200	175